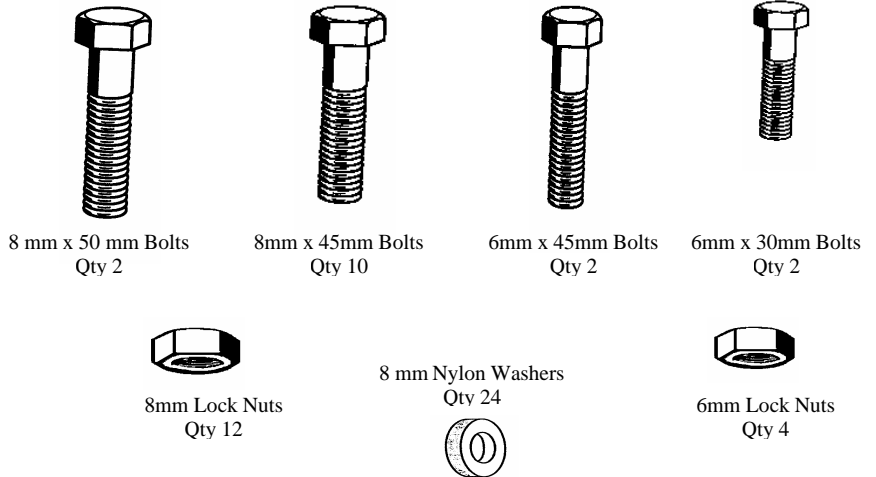
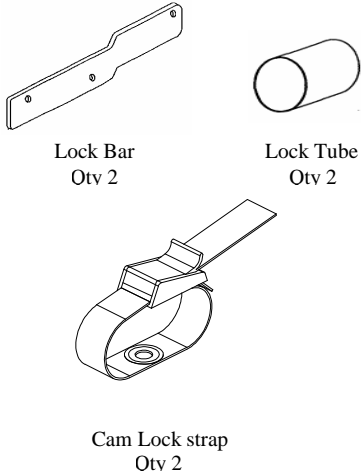


Congratulations

You have just purchased what we believe is the most unique and practical storage solution on the market.

We tried to make the assembly of your Bike Barn as easy as possible, and for this purpose have included a comprehensive set of written and pictorial instructions.

Step 1. Parts check (Hardware Detail)



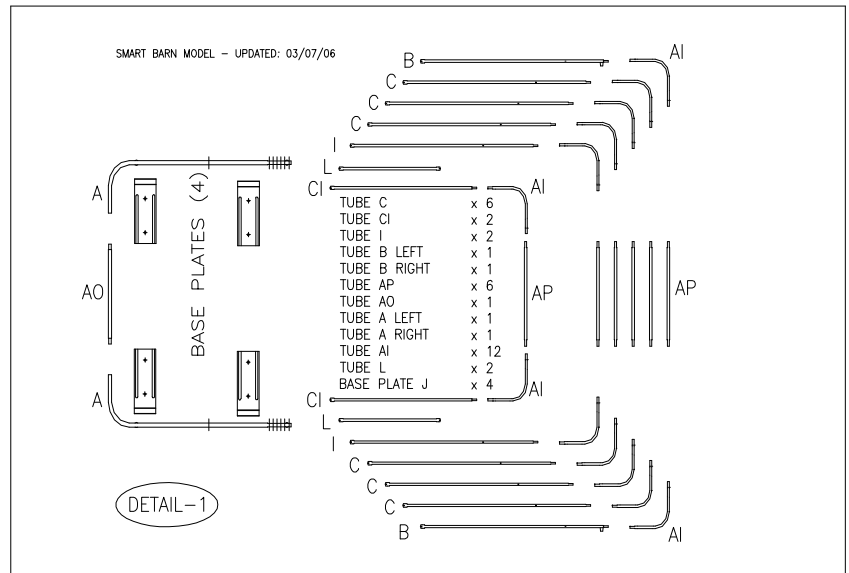
In packing the Bike Barn we take extreme care to make sure that all components are included.

Please check the bag of bolts for the correct number of pieces as listed above. Please also confirm that you have the correct number of tubes for proper assembly.

If you find that you are missing a part please call The Bike Barn directly at 1 (866) 668 - 6164 Monday to Friday 8:00 am – 5:00 pm PST. You can also contact by email at sales@thebikebarn.net

Tube I is differentiated from the C by the holes 2/3rds up for connecting to tube L.

The CI tube does not connect to the L tube.

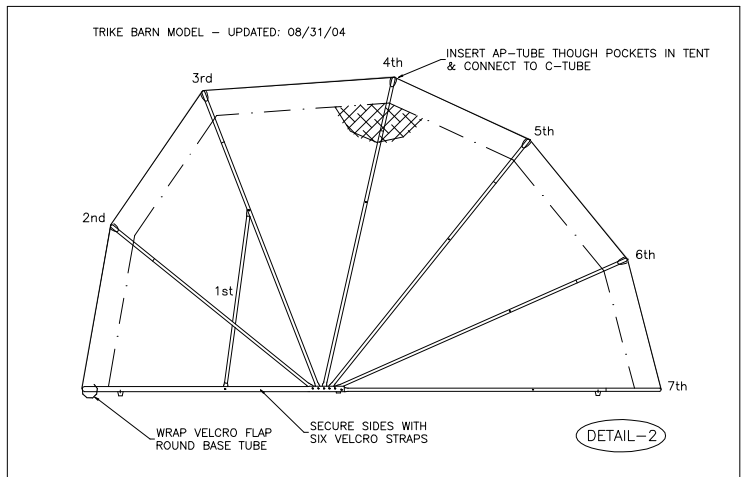


Step 2. Assembly

- a) Back Base - Locate the two A-tubes, (Larger diameter tubing.) shown in Detail 3.
- b) Locate the AO-tube and connect it to the A-tubes to form the base-frame. Place on flat ground with the black feet down.
- c) Connect the two L-tubes to the inside of base tube-A. using the 6mm x 45 mm bolts - no washer.(See Detail-3)
- d) *Note: All tubes are installed on the inside of the frame.*
- e) Take the 2 CI-tubes (they are shorter than the C tubes) and bolt them to the insides of the base frame per Detail 4, using 8mm x 45 mm bolts nuts and washers,
- f) Connect the I -Tubes using 8mm x 45mm bolts. The I tubes have a hole below the bend for connecting to the L tube.
- g) Then the L tube connects the base to the I tube forming a triangle. Use 6mm x 45mm bolts and nuts (no washer) to join the L to base and 6mm x 30mm (no washer) to join L to I per Detail 3.
- h) An AP tube is required in Step 4(d) to connect the top of the I tubes.

Rear is Fixed

Front End Opens



Note: tubes installed on inside of base frame

Step 3. Support Rib

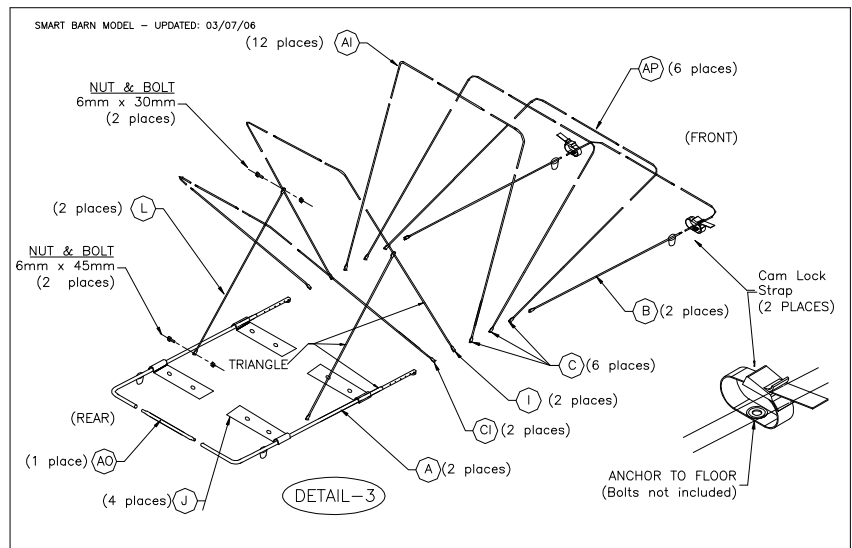
It is important to review Detail 4 and 5 on the next page to identify some of the finer points in the assembly.

- i) Bolt the remaining C-tubes to the base tube-A. (see Detail-4 on next page) using 8mm x 45 mm bolts nuts and washers, as identified in the hardware detail. The washers prevent metal on metal abrasion on moving parts.
- j) These tubes will not be connected at the top until the tent is put on. Then the AP tubes will be inserted through the tent pockets connecting to the C tubes.
- k) Lay the C tubes back on the triangle frame once connected.
- l) *Note:*
The two 50mm long bolts are fitted to the hole 3rd from the end of the base tube-A per Detail 4. These two bolts are installed with the head to the INSIDE of the frame in order to hold the tent later.

The rest of the bolts' heads are on the outside of the frame per Detail 4.

- m) Lastly locate the two B-tubes (These have feet attached) and install them using the holes nearest to the end of the base tube.
- n) If you intend to install the locking bar now is a good point to put the pieces on with the Rib.

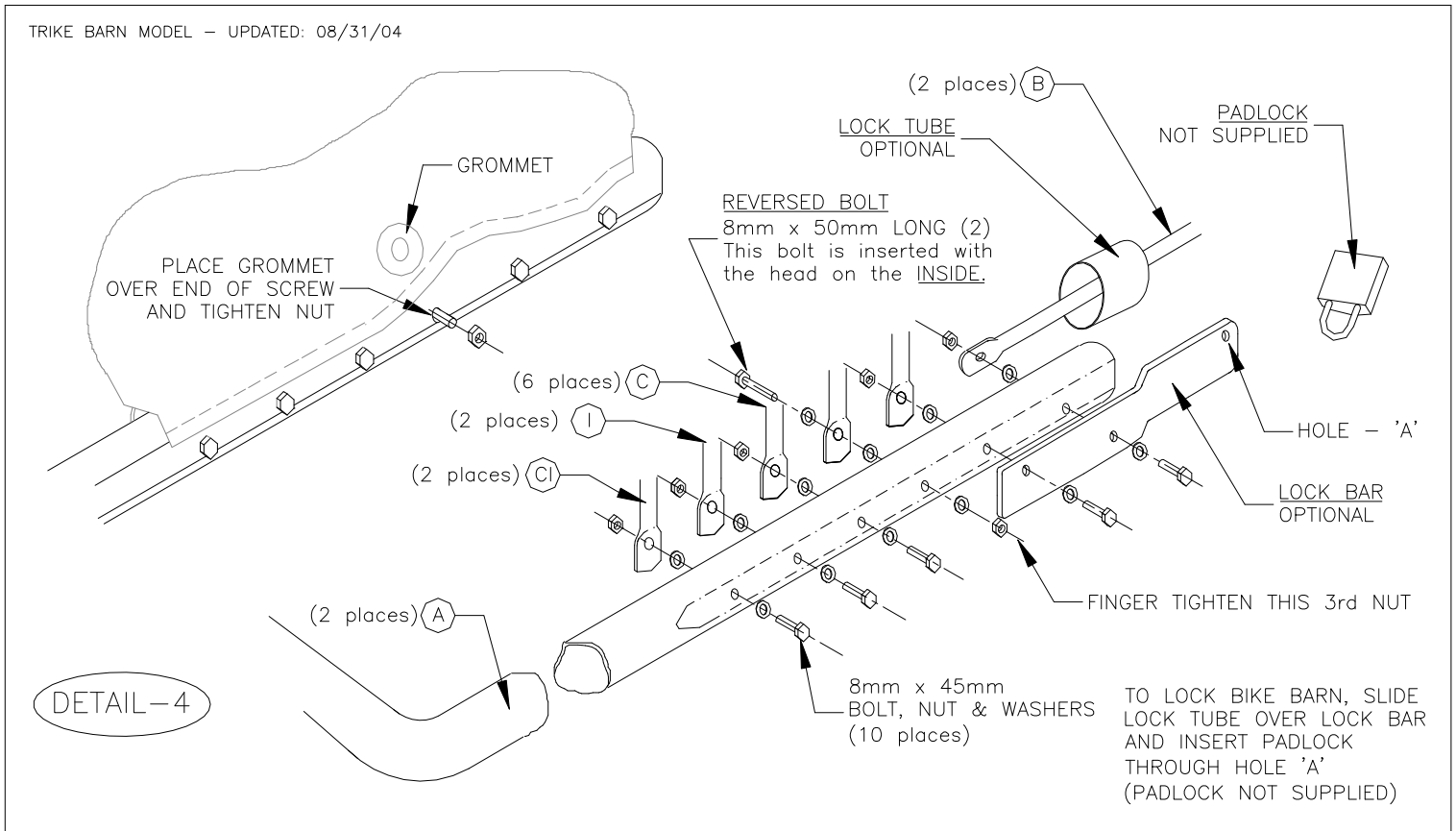
Assemble from rear first, then triangle



Step 3. Support Ribs continued.

- Note that the washers contact between moving parts to protect from wear of metal on metal.
- Also note that the 3rd bolt from end of tube is 50mm long and reversed from other bolts.

Remember that the plastic washers go between the metal surfaces as shown



These diagrams were developed over years of feedback from customers like you. If you have some new insights or just want to tell us how the assembly experience was for you please send us an email to sales@thebikebarn.net and let us know.

We have a testimonial section on the site and we post pictures from customers that want to demonstrate their handy work. Take a digital picture and send it to the email address above.



Step 4. Tent Installation

- a) Unfold the tent and locate the front of the tent which has pockets on the inside edge of bottom hem to accept the B tubes. The pockets are approximately 12 inches away from either end of the front Velcro strips.
- b) Drape the rear of tent over the I tube A frame when facing rear of frame and work from inside the tent/frame assembly.
- c) Start by pulling the rear Velcro Flap under the base tube assembly and attaching together.
- d) Stand Inside the frame and pass an AP-tube through the next pocket closest to the Velcro Flap for the CI tube. Connect each end to the first pair of C Tubes. Continue this process for each of the C tubes and front B Tubes per Detail 2.
- e) Close the Bike Barn and locate the brass-grommet on each side of the tent. Remove the nut from the 8mm x 50mm bolt, in third hole from the end, place grommet over it and secure with nut. *See Detail 5.*
- f) Attach the six Velcro straps on the sides of the tent to the base frame, going underneath the frame from the outside. These are used for adjusting the side tension of the tent.
- g) Use the Velcro strips to adjust tension on the tent as necessary.

Your Bike Barn is now operational. The only thing left to do is to select the location for it.

Securing the Base Plate

You can secure the Base Plates to the ground using the two bolt holes. You can drill into concrete or screw into wood to permanently attach the base plates. For installations on ground you can drive 12" spikes into the ground or use a reator/dog anchor that screws into the ground like a corkscrew.

Securing the Cam Lock straps

Install the Cam Lock straps, see Detail-3 (*fasteners not included*) which secures the Bike Barn in the closed position, and the lock bar assembly if required. Use a Maximum 3/8 Anchor bolt through the grommet hole.

Lock Bar Assembly: (*see Detail-4*)

If you wish to install the lock assembly, remove the first 2 bolt assemblies. (as indicated on detail-4) Place the LOCK TUBE over the B-tube and attach LOCK BAR to base tube-A. (2-places) Close the tent and then slide the LOCK TUBE back over the LOCK BAR. By inserting a padlock (not supplied) through the hole provided, the Bike Barn can be securely locked in place.

Thank you for Choosing the Bike Barn. We believe you will have years of satisfaction with your purchase.

